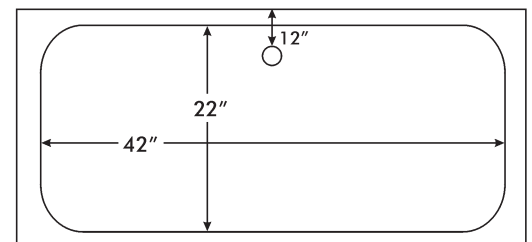
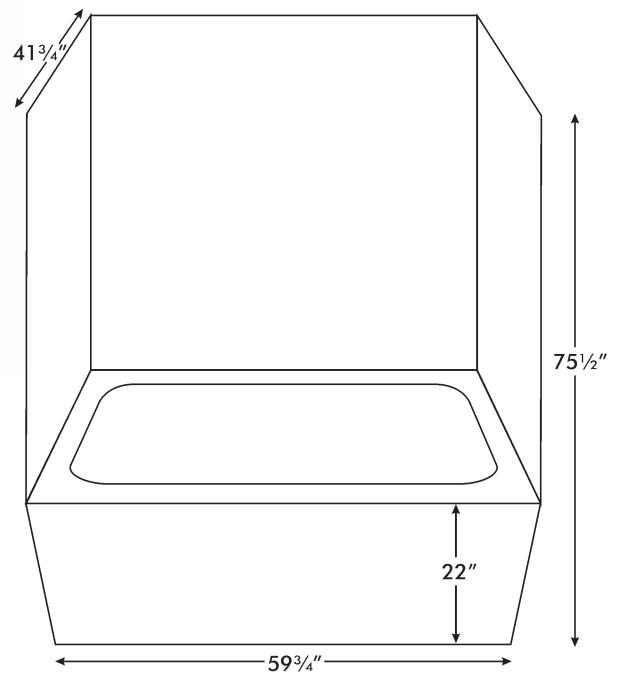


# J-2 with walls

60 x 42



$59\frac{3}{4} \times 41\frac{3}{4} \times 75\frac{3}{4}$   
(finished dimension)



1086 Highway 293  
Cartersville, Georgia 30121  
770-974-6974, fax 770-974-1048  
[www.jetstreamwhirlpools.com](http://www.jetstreamwhirlpools.com)